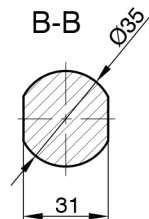
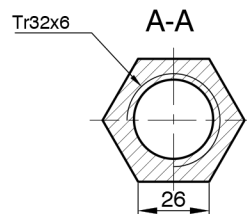
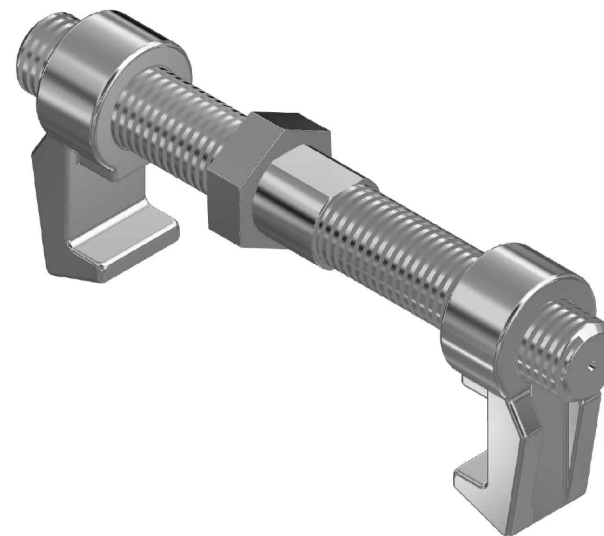
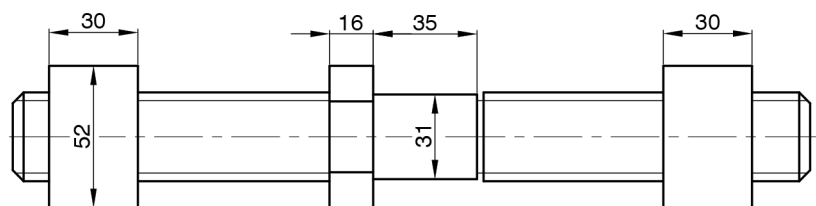


LOADS		TENSION[kN]
BREAKING LOAD	BL	100
PROOF LOAD	PL	63
SAFE WORKING LOAD	SWL	50

WEIGHT: 2,8 kg



BRIDGE FITTING

SB-1S

NAVACQS SEAL SUPPLIERS B.V.

Aploniastraat 78
3084 CC Rotterdam
Nederland



+31(0)10-495 0000
sales@navacqs.nl
sales@navacqs.be