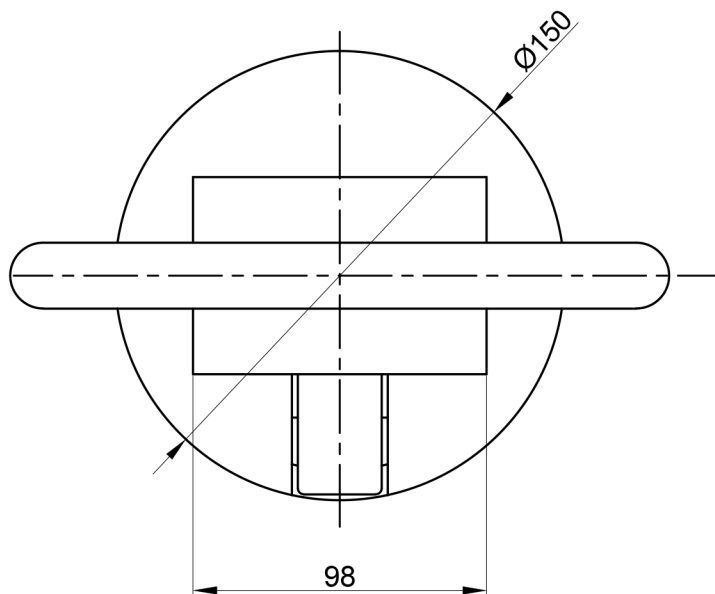


LOADS		TENSION[kN]
BREAKING LOAD	BL	400
PROOF LOAD	PL	250
SAFE WORKING LOAD	SWL	200

TOTAL WEIGHT: 8,3 kg



BREECH BASE D-RING (40T)

LP-21

NAVACQS SEAL SUPPLIERS B.V.

Aploniastraat 78
3084 CC Rotterdam
Nederland



+31(0)10-495 0000
sales@navacqs.nl
sales@navacqs.be