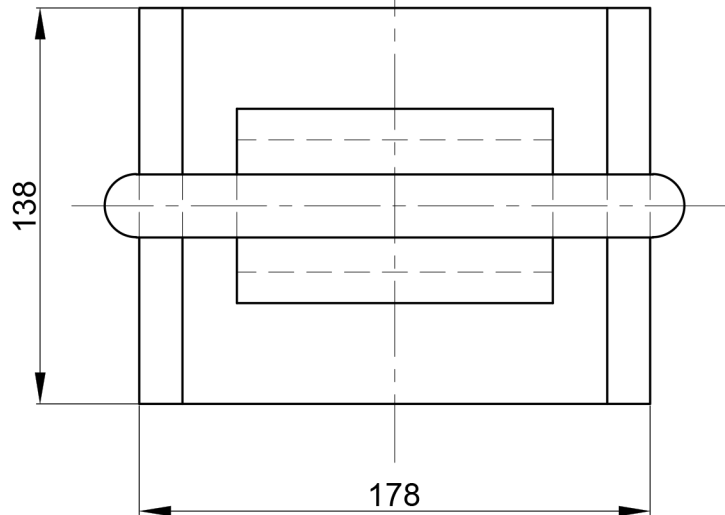


LOADS		TENSION[kN]
BREAKING LOAD	BL	360
PROOF LOAD	PL	225
SAFE WORKING LOAD	SWL	180

TOTAL WEIGHT: 6,4 kg



DOVETAIL D-RING 45° LP-91-45

NAVACQS SEAL SUPPLIERS B.V.

Aploniastraat 78
3084 CC Rotterdam
Nederland



+31(0)10-495 0000
sales@navacqs.nl
sales@navacqs.be