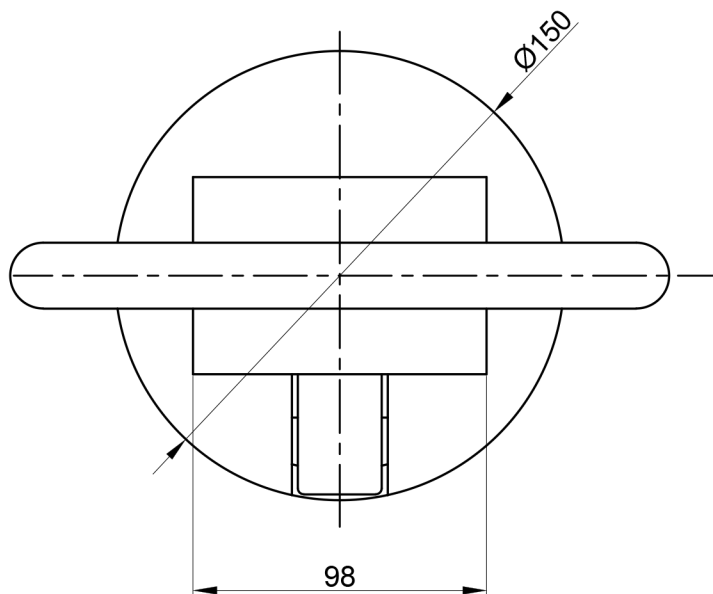


LOADS		TENSION[kN]
BREAKING LOAD	BL	400
PROOF LOAD	PL	250
SAFE WORKING LOAD	SWL	200

TOTAL WEIGHT: 8,3 kg



BREECH BASE D-RING (40T)

LP-21

NAVACQS SEAL SUPPLIERS

Albert Plesmanweg 107 A
3088 GC Rotterdam
Die Niederlande



+49(0)30-843 121 43
info@navacqs.de
www.navacqs.de