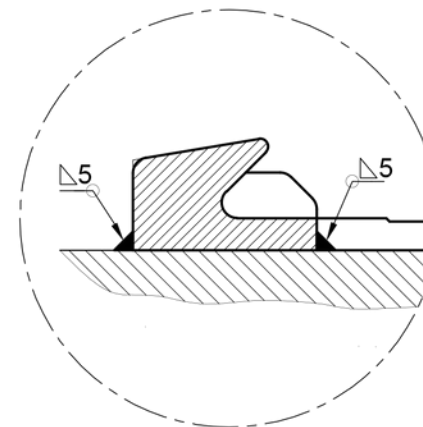


LOADS		TENSION [kN]	SHEAR [kN]
BREAKING LOAD	BL	500	420
PROOF LOAD	PL	313	263
SAFE WORKING LOAD	SWL	250	210

TOTAL WEIGHT: 3,7 kg

DET. A
TYPICAL WELDING:
WELDING TO GO COMPLETELY AROUND



DECK OR HATCH COVER

SINGLE DOVETAIL SOCKET 45°

DF-31

NAVACQS SEAL SUPPLIERS B.V.

Albert Plesmanweg 107 A
3088 GC Rotterdam
Nederland



+31(0)10-495 0000
sales@navacqs.nl
sales@navacqs.com