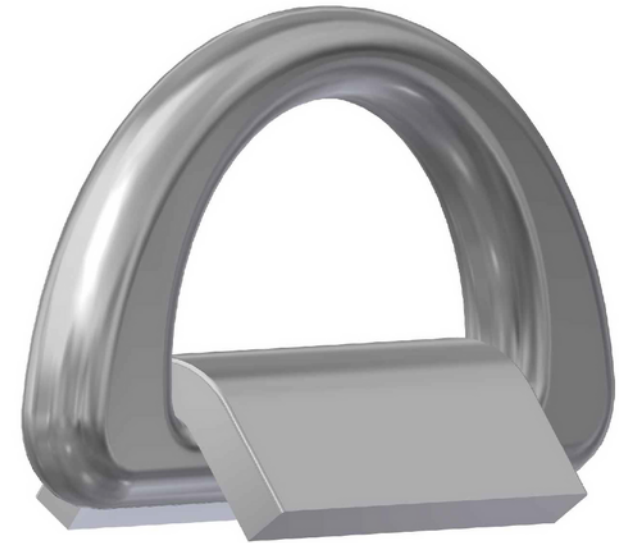
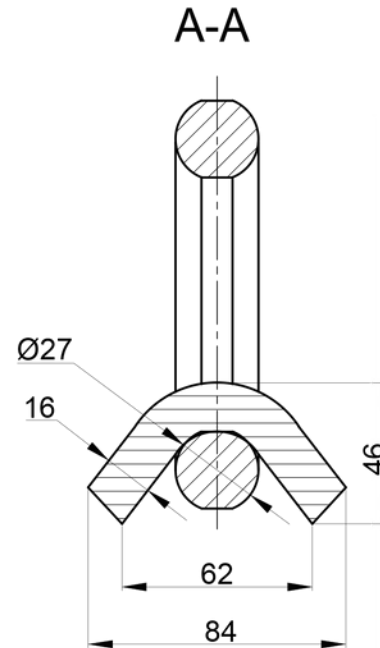
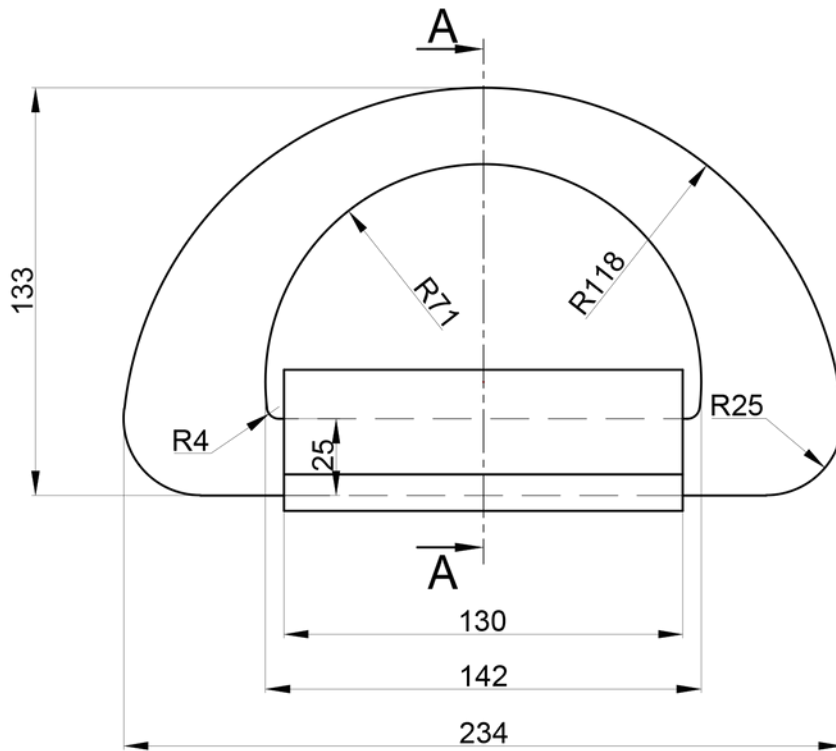


LOADS		TENSION [kN]
BREAKING LOAD	BL	500
PROOF LOAD	PL	313
SAFE WORKING LOAD	SWL	250

TOTAL WEIGHT: 4,4 kg



LASHING D-RING 50T

LP-14

NAVACQS SEAL SUPPLIERS B.V.

Albert Plesmanweg 107 A
3088 GC Rotterdam
Netherlands



+31(0)10-495 0000
sales@navacqs.nl
sales@navacqs.com