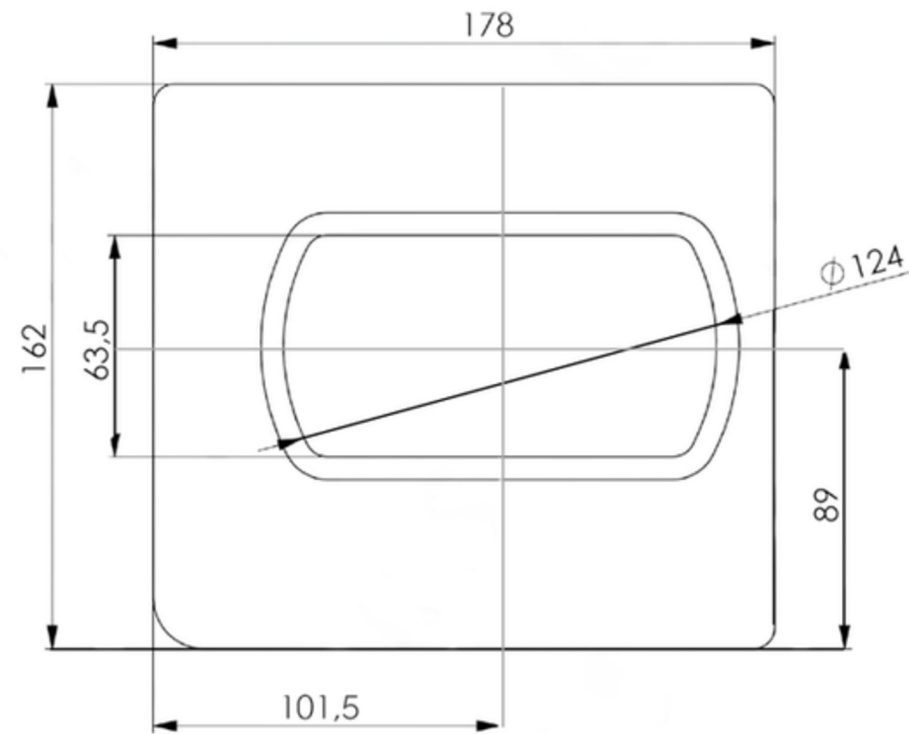
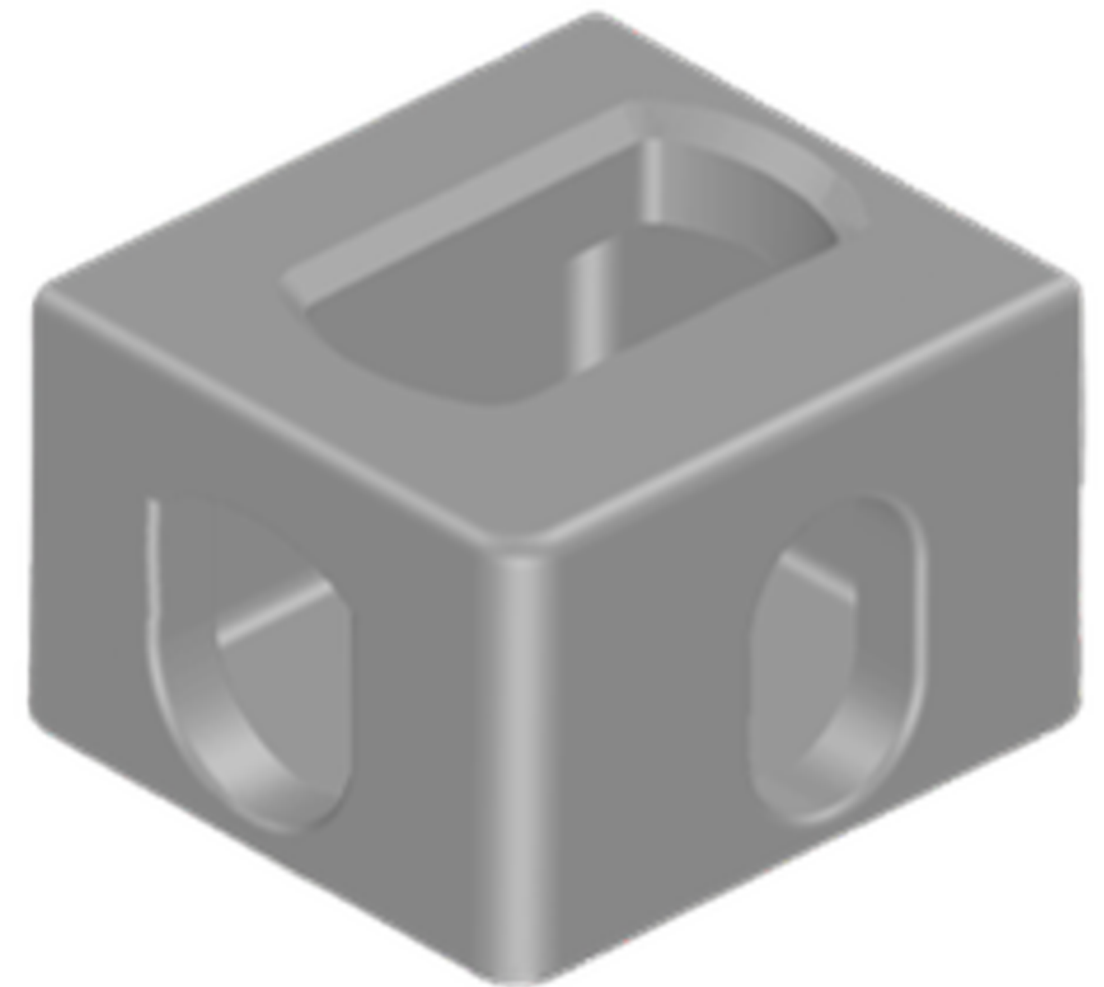


A-A



REMARKS:

1. IN ACCORDANCE WITH ISO 1161:1984
2. MARKINGS: ILS + PRODUCT CODE  
BATCHNUMBER  
MM: MONTH OF PRODUCTION  
YY: YEAR OF PRODUCTION

Specifications:	Loads:	Shear	Tension	2						
Material: SCW480	Breaking load BL	420 kN	500 kN	1	New drawing	03/08/2023	MDH	BDL	AC	
Finish: Self colored / Coat lightly with anti-rut oil	Proof load PL	263 kN	313 kN	Rev.	Description of issue	Date	Drawn by	Checked by	Approved by	
Total weight: 11.3kg	Safe working load SWL	210 kN	250 kN	Product ref.: <b>CO-TR (V)</b>					Status: <b>APPROVED</b>	
				Title: <b>TOP CORNER CASTING RIGHT</b>					Scale: 1:2 Format: A3	
<b>NAVACQS</b>				Albert Plesmanweg 107 A 3088 GC Rotterdam Netherlands			+31 (0) 10-495 0000 sales@navacqs.com			